

SIDE- POWER

Thruster systems

**SP 95 T 12V
SP 125 T 12V
SP 200 TC 24V
SP 220 TC 24V**



**Keep this
manual onboard !**

IPC upgrade kit (for 15 1273B wiring loom)

Upgrades your existing Sidepower thruster (1998 or newer) to include the latest safety functions.



SLEIPNER MOTOR AS

P.O. Box 519

N-1612 Fredrikstad

Norway

Tel: +47 69 30 00 60

Fax: +47 69 30 00 70

www.side-power.com

sidepower@sleipner.no



© Sleipner Motor AS 2005

Made in Norway

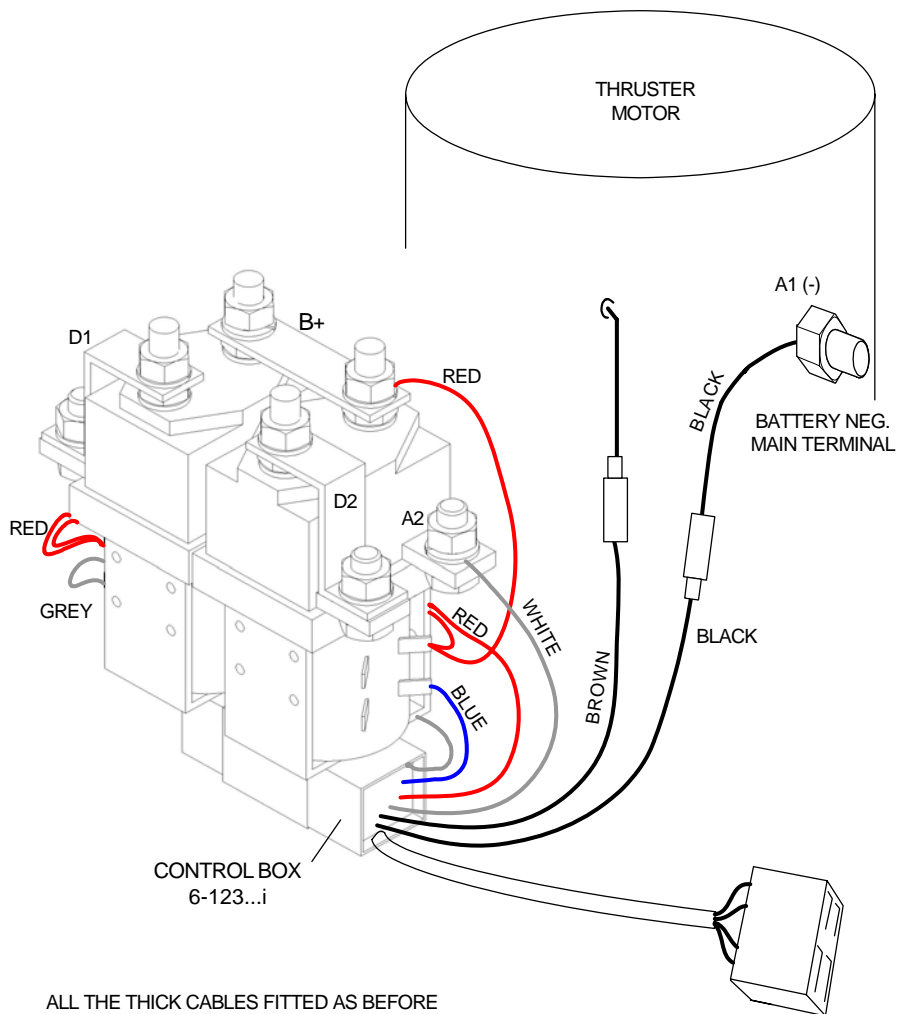
Kit consists of

- 1 pcs. Control box (6 123...i)**
- 1 pcs. Wiring loom (15 1273B)**
- 1 pcs. Negative terminal / black cable (R10)**

Upgrade procedure (refer to drawing on next page)

- 1** Disconnect thruster batteries by disconnecting the mainswitch(es).
- 2** Disconnect the 4 way connector on the existing wiring loom (internal thruster wiring loom).
- 3** Disconnect the two cable connections on both sides of the solenoid (2 x red, 1 x blue and 1 x grey).
- 4** Loosen the nut on top of the solenoid and remove the red cable.
- 5** Disconnect the 1 way connector on the thin wire coming out of the electric motor (overttemperature funtion).
- 6** Remove existing wiring loom and control box.
- 7** Install the (R10) negative cable (included in kit) on the A1 terminal (battery negative) torque = 15 Nm.
- 8** Install the new control box (6 123...i) with the new wiring loom (15 1273B) on the existing holding bracket.
- 9** Connect blue, grey and red wires to the solnoid in accordance to the drawing on the next page. Torque for the nut on B+ = 15 Nm.
- 10** Loosen A2 cable and install new white cable with circular cable shoe, between the spring washer and A2 cable. Torque = 15 Nm.
- 11** Connect the black wire with the 1 way contact in the wiring loom, to the 1 way contact coming from A1 terminal.
- 12** Connect the brown wire with the 1 way contact in the wiring loom, to the 1 way contact coming from the electric motor (overttemperature function).
- 13** Check that the connections are in accordance to the drawing on the next page.

New internal wiring

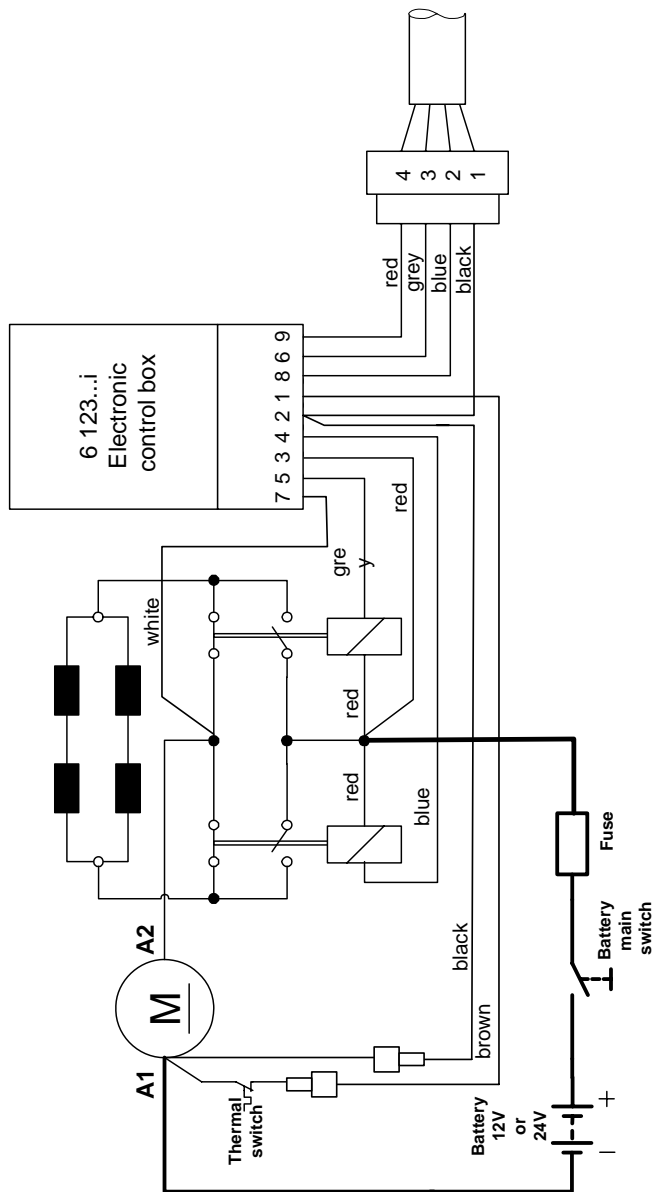


ALL THE THICK CABLES FITTED AS BEFORE

DISTURBED SOLENOID NUTS AND BOLTS (A2 AND +) MUST BE TORQUE LOADED TO 20 Nm.

4-WAY CONNECTOR TO PANEL OR SIDEPOWER AUTOMATIC MAIN SWITCH

Wiring diagram with IPC control box



SLEIPNER MOTOR AS

P.O. Box 519
N-1612 Fredrikstad
Norway

Tel: +47 69 30 00 60
Fax: +47 69 30 00 70

www.side-power.com
sidepower@sleipner.no



© Sleipner Motor AS 2005

Made in Norway