

SIDE- POWER

Thruster systems

SP 30 S

**Keep this
manual onboard !**



IPC upgrade kit (for SP 30 S)

Upgrades your existing Sidepower thruster (1998 or newer) to include the latest safety functions.



SLEIPNER MOTOR AS

P.O. Box 519

N-1612 Fredrikstad

Norway

Tel: +47 69 30 00 60

Fax: +47 69 30 00 70

www.side-power.com

sidepower@sleipner.no



© Sleipner Motor AS 2006

Made in Norway

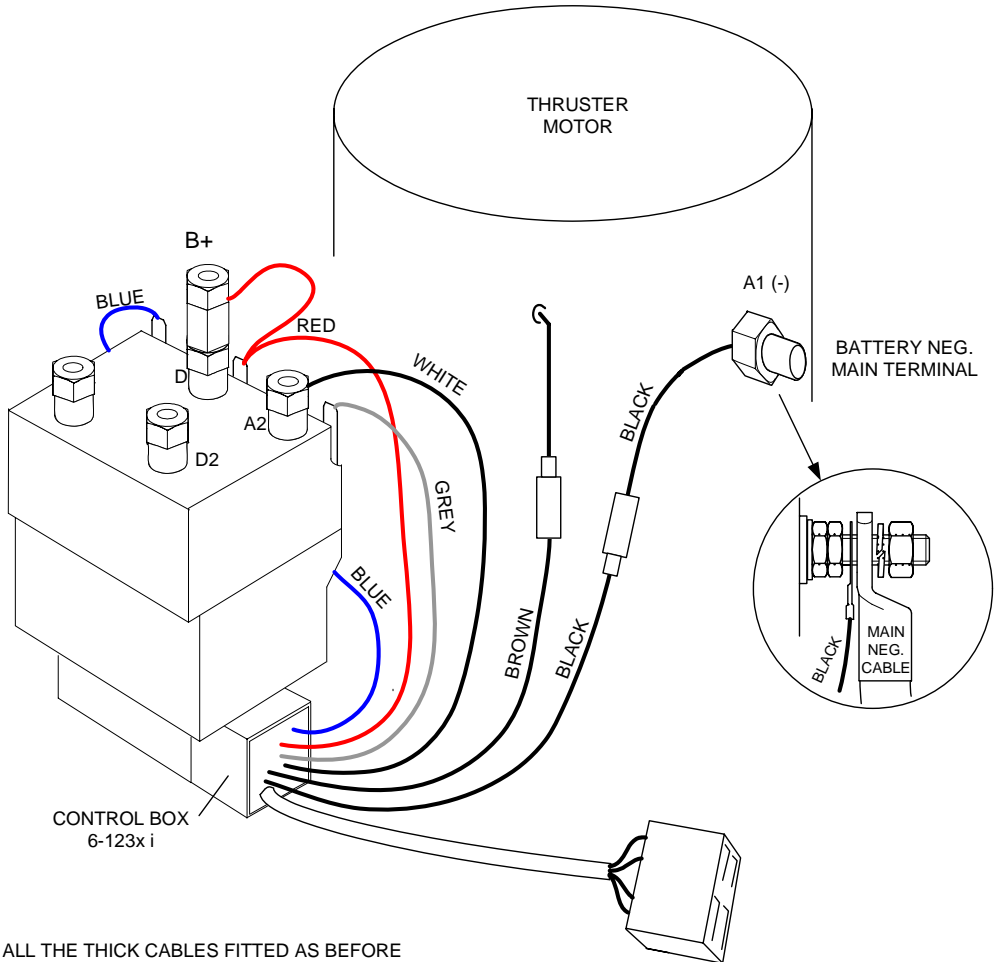
Kit consists of

- 1 pcs. Control box (6 123...i)**
- 1 pcs. Wiring loom (6 1200B)**
- 1 pcs. Negative terminal / black cable (R8)**

Upgrade procedure (refer to drawing on next page)

- 1** Disconnect thruster batteries by disconnecting the mainswitch(es).
- 2** Disconnect the 4 way connector on the existing wiring loom (internal thruster wiring loom).
- 3** Disconnect the thin wire connections on the solenoid (red, blue and grey).
- 4** Disconnect the 1 way connector on the thin wire coming out of the electric motor (overtemperature function).
- 5** Remove existing wiring loom and control box.
- 6** Install the (R8) negative cable (included in kit) on the A1 terminal (battery negative) torque = 10 Nm. CAUTION: Do not overtighten!
- 7** Install the new control box (6 123...i) with the new wiring loom (6 1200B) on the existing holding bracket.
- 8** Connect blue, grey and red wires to the solenoid in accordance to the drawing on the next page. Torque for the nut on B+ = 4 Nm.
- 9** Loosen A2 cable and install new white cable with circular cable shoe, between the spring washer and A2 cable. Torque = 4 Nm.
- 10** Connect the black wire with the 1 way contact in the wiring loom, to the 1 way contact coming from A1 terminal.
- 11** Connect the brown wire with the 1 way contact in the wiring loom, to the 1 way contact coming from the electric motor (overtemperature function).
- 12** Check that the connections are in accordance to the drawing on the next page.

New internal wiring

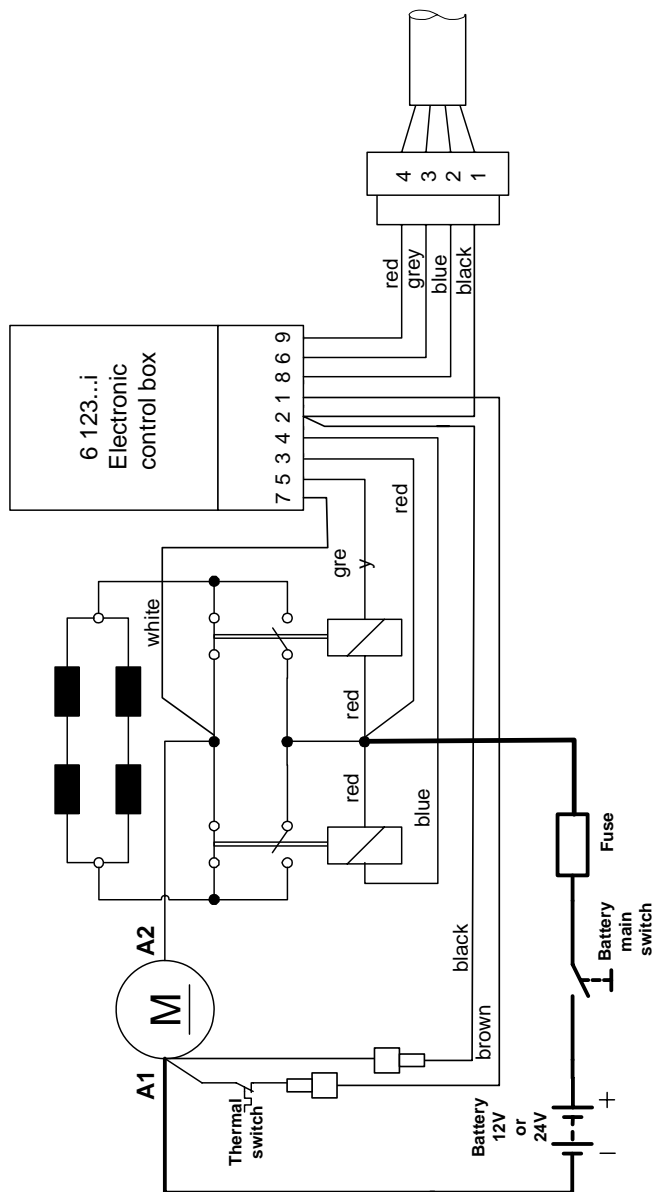


ALL THE THICK CABLES FITTED AS BEFORE

DISTURBED SOLENOID NUTS AND BOLTS (A2 AND +) MUST BE TORQUE LOADED TO 4 Nm.

4-WAY CONNECTOR TO PANEL
OR SIDEPOWER
AUTOMATIC MAIN SWITCH

Wiring diagram with IPC control box



SLEIPNER MOTOR AS

P.O. Box 519
N-1612 Fredrikstad
Norway

Tel: +47 69 30 00 60
Fax: +47 69 30 00 70

www.side-power.com
sidepower@sleipner.no



© Sleipner Motor AS 2006

Made in Norway