

SIDE-POWER
Product Data sheet

Retract SRF Flanges 185mm/250mm/300mm

Document id: 4282
Revision: 4

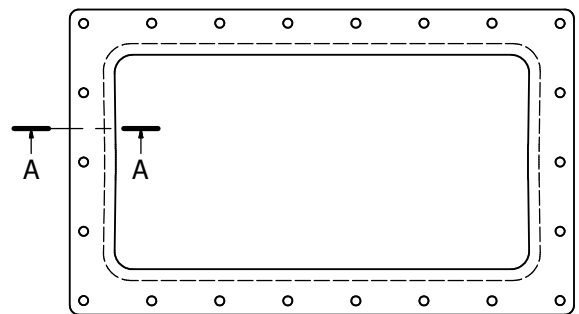
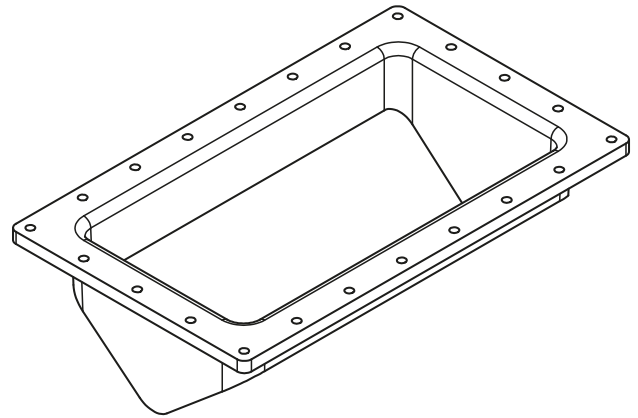
1. Technical data

Model	Length x width (mm)	Height (mm)	Weight (kg/lbs)
SRF 185	550 x 330	160	3,3 / 7,3
SRF 250	687 x 460	200	5,6 / 12,3
SRF 300	842 x 580	236	8,9 / 19,6

2. Material specifications

Altek™ H834-REA-30 Polyester Resin	H834-REA-30 (see attachment)
Hydropel™ H034-ADB-30 Modified Vinyl Ester Resin	H034-ADB-30 (see attachment)

Note! The boatbuilder must be aware of that certain mould in materials can come in an chemical conflict with these materials. (Ref 2. Material specifications). The boatbuilder is responsible of using materials that will match chemically.

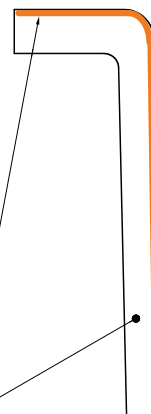


A - A

Material specifications view

Vinylester for Osmosis protection (See attached data sheet)

Polyester (See attached data sheet)



TYPICAL SECTION VIEW



SLEIPNER MOTOR AS
P.O. Box 519
N-1612 Fredrikstad
Norway
www.side-power.com



Made in Norway

© Sleipner Motor AS 2018

3. Maintenance

N/A

4. Health and safety

- During mould in, wearing of face mask, eye protection and hand protection is very important.
- Mould in work must be done in ventilated areas.
- See attached datasheets for more information.

5. Measurements

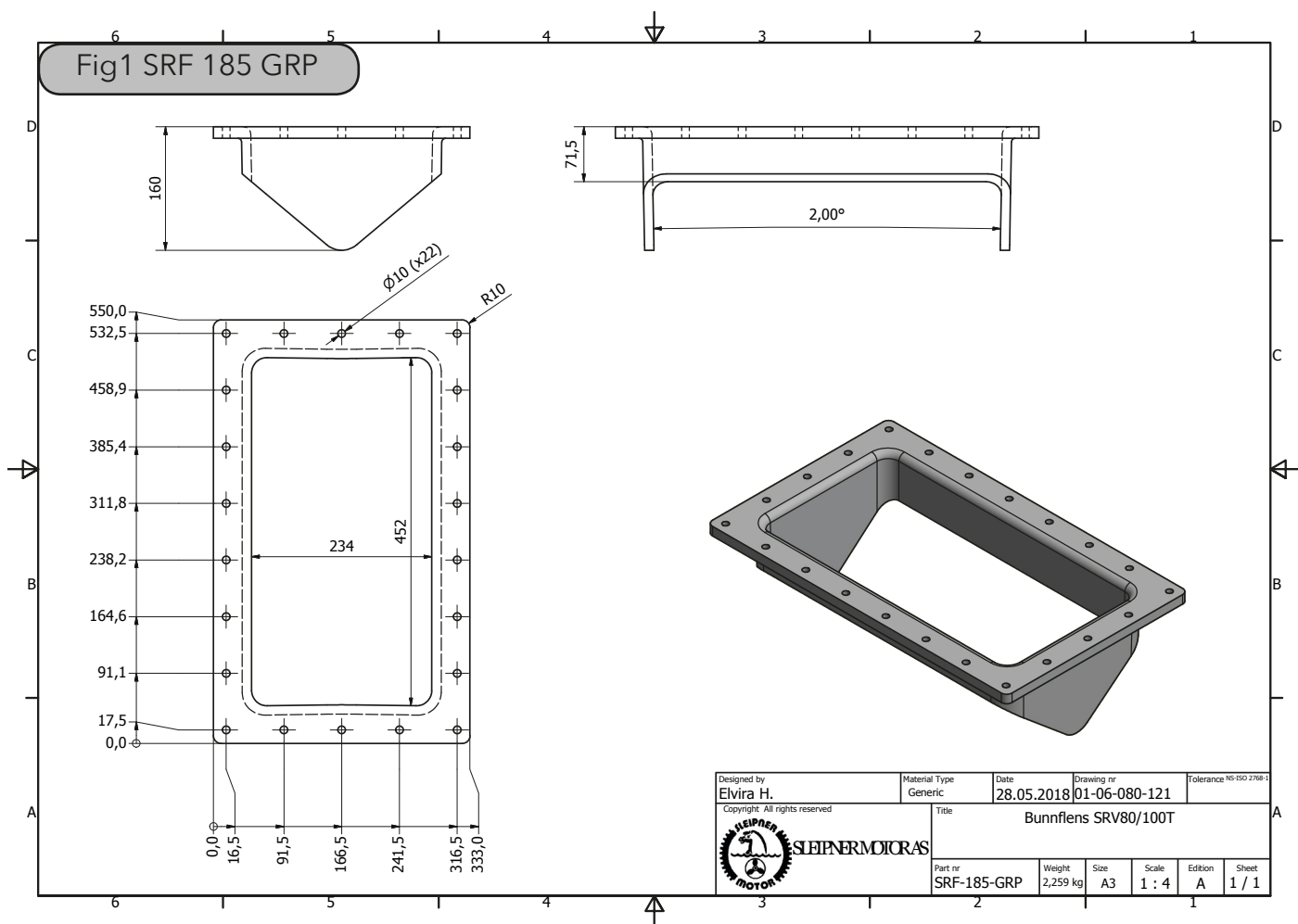
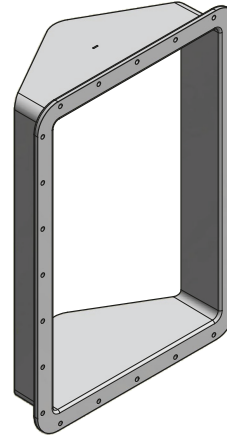
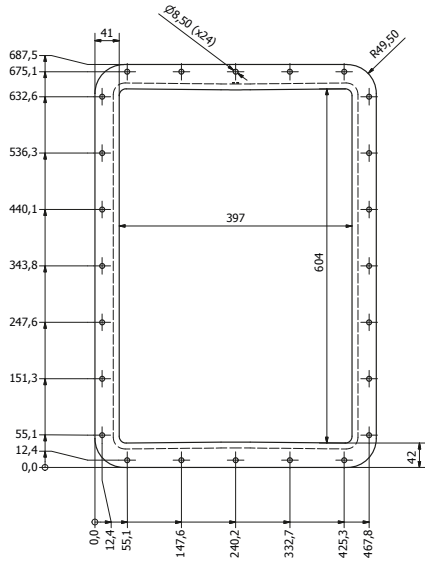
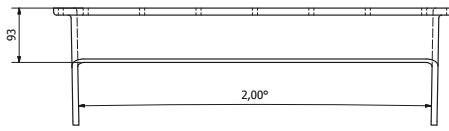
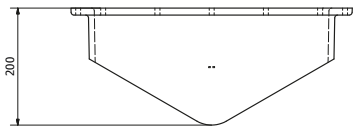
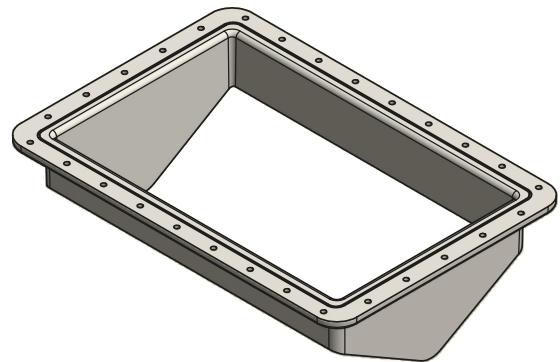
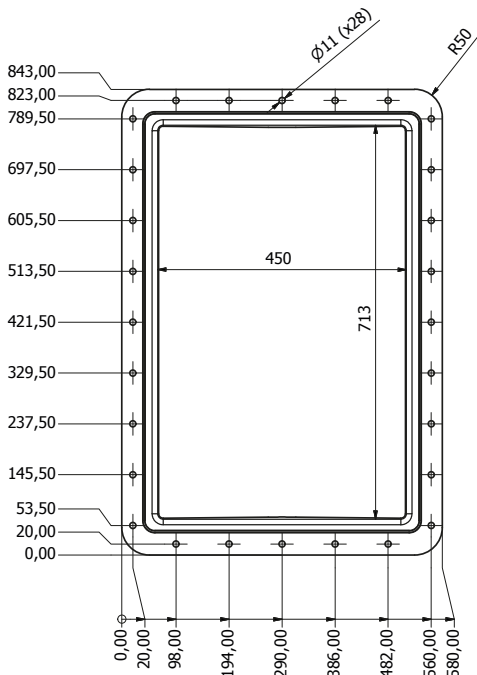
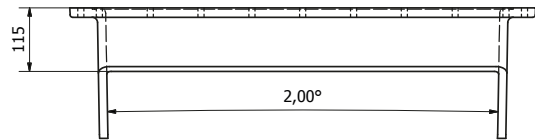
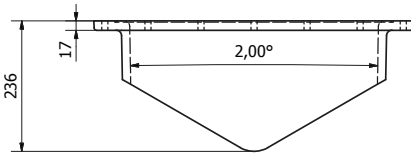


Fig2 SRF 250 GRP



Designed by Elvira H.	Material Type GRP	Date 28.05.2018	Drawing nr 01-06-170-146	Tolerance NO-ISO 2768-1
Copyright: All rights reserved		Title Innstøpningsflensen SR170TC		
Part nr SRF-250-GRP		Weight 3,894 kg	Size A2	Scale 1 : 4
		Edition A	Sheet 1 / 1	

Fig3 SRF 300 GRP



Designed by Elvira H.	Material Type GRP	Date 05.03.2018	Drawing nr SM-116887	Tolerance NO-ISO 2768-1
Copyright: All rights reserved		Title Innstøpningsflens SRF-300-GRP SRV 285/350		
Part nr SRF-300-GRP		Weight 8,903 kg	Size A3	Scale 1 : 6
		Edition A	Sheet 1 / 1	